

# INSTRUMENT CURRENT TRANSFORMER

7.0" Internal Diameter, Multi-Ratio  
Width 7.0"



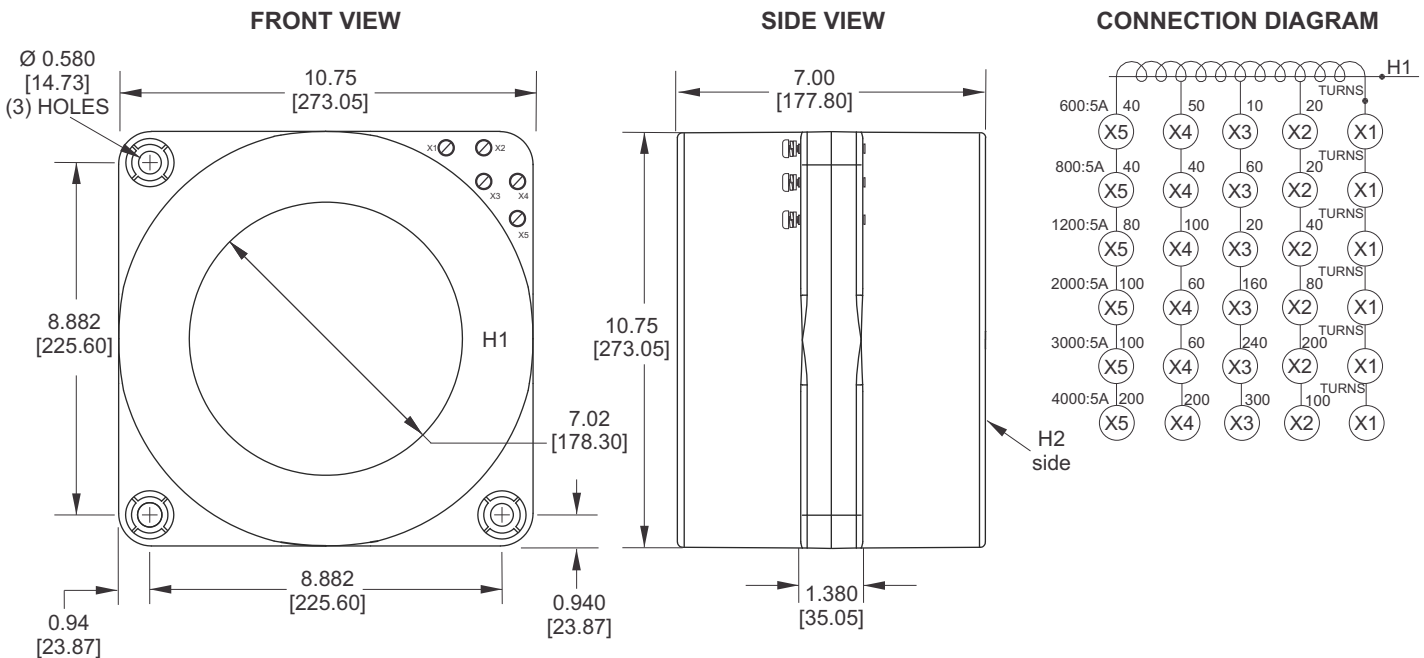
- Application - Relay and Metering
- Frequency 50 - 400 Hz
- AC capability 600 - 4000 Amperes
- Insulation Class 0.6kV, 10kV BIL full wave
- Excitation curves upon request
- Secondary terminals are brass screws No. 10-32 with one flatwasher, lockwasher, accessible from either side
- Approximate weight 53 lbs
- UL and cUL Certified per ANSI/IEEE C57.13 standard



## ELECTRICAL SPECIFICATIONS

CATALOG NUMBER	CURRENT RATIO (A), (X1-X5)	RELAY CLASS	ANSI METERING CLASS AT 60HZ (X1-X5)					SECONDARY WINDING RESISTANCE (OHMS @75C), (X1-X5)	CURRENT RATING FACTOR @30C
			B0.1	B0.2	B0.5	B0.9	B2.0		
ICT98A01	600:5	C245	0.3	0.3	0.3	0.6	1.2	0.19	2.0
ICT98A03	1200:5	C425	0.3	0.3	0.3	0.3	0.3	0.44	2.0
ICT98A06	2000:5	C460	0.3	0.3	0.3	0.3	0.3	0.60	1.0
ICT98A02	3000:5	C660	0.3	0.3	0.3	0.3	0.3	1.19	1.0

## MECHANICAL SPECIFICATIONS

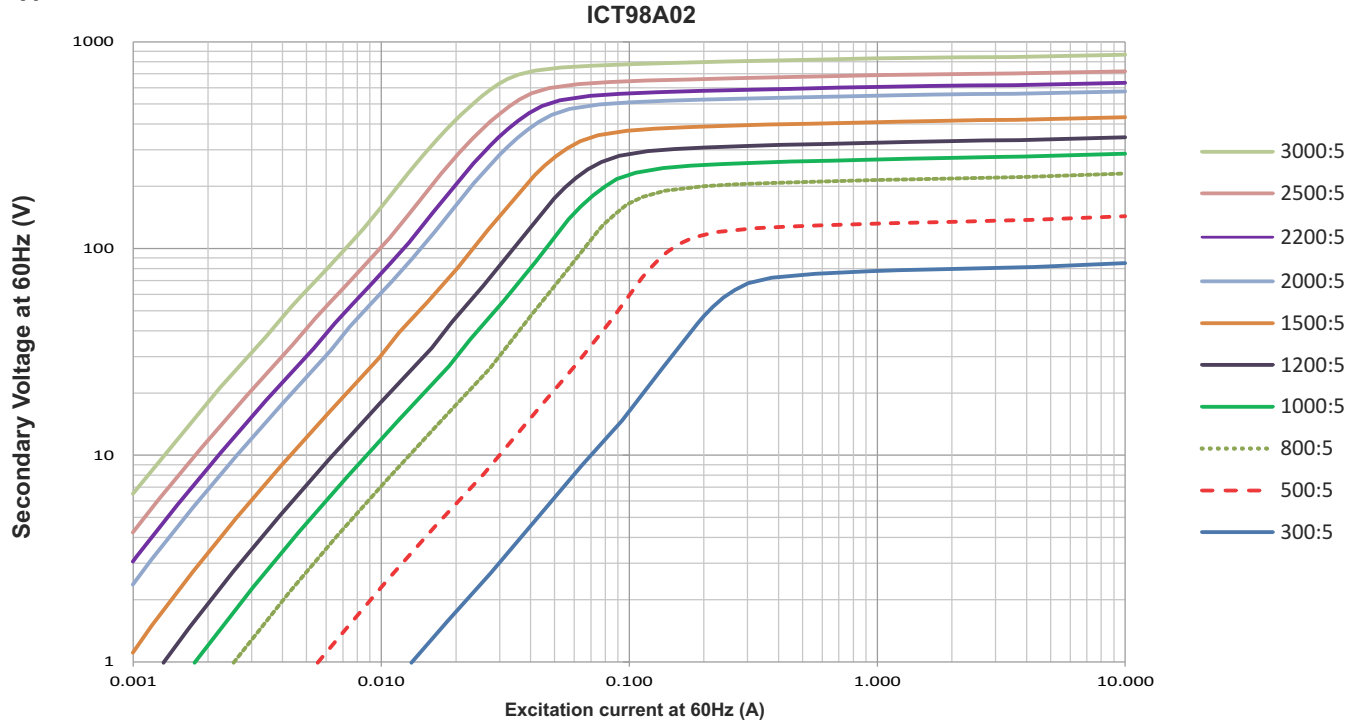


DIMENSIONS IN INCHES[MM]

7.0" Internal Diameter, Multi-Ratio  
Width 7.0"

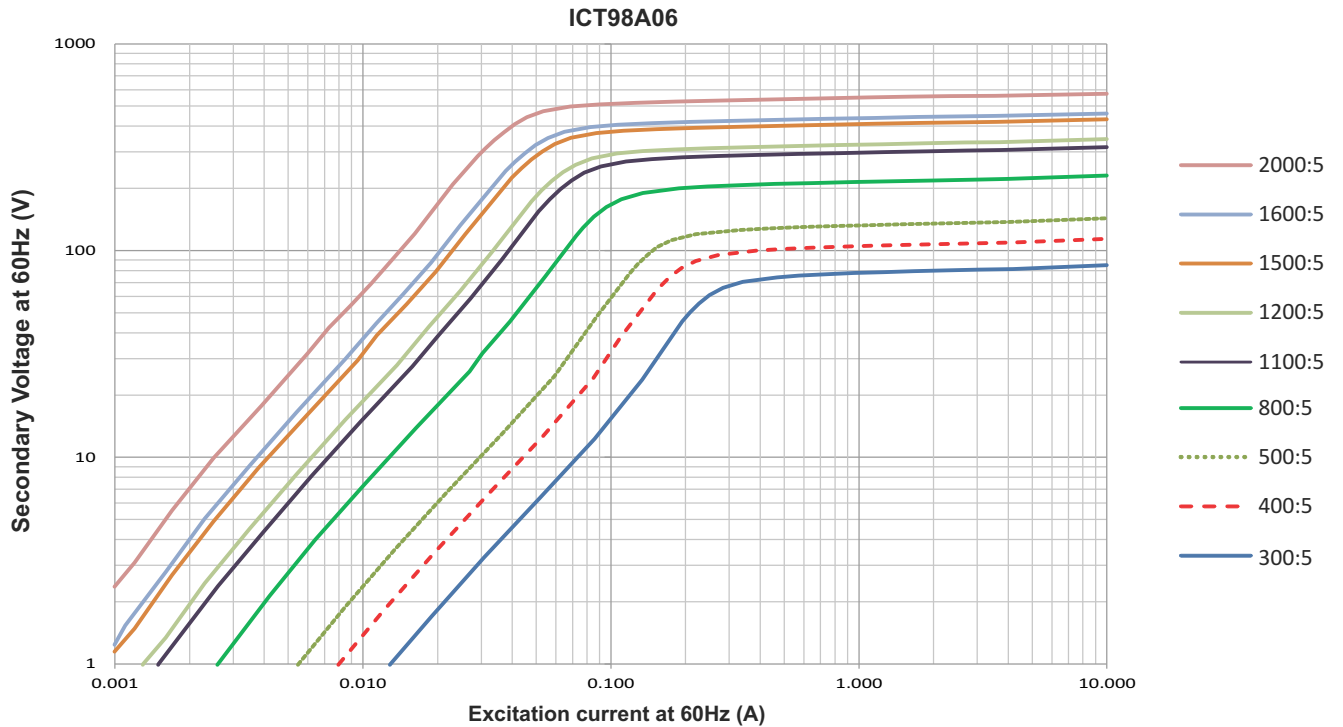


## Typical Excitation Curves



### ICT98A02 Ratings

Terminals	X3-X4	X4-X5	X3-X5	X1-X2	X2-X3
Ratio	300:5A	500:5A	800:5A	1000:5A	1200:5A
Terminals	X2-X4	X2-X5	X1-X3	X1-X4	X1-X5
Ratio	1500:5A	2000:5A	2200:5A	2500:5A	3000:5A



### ICT98A06 Ratings

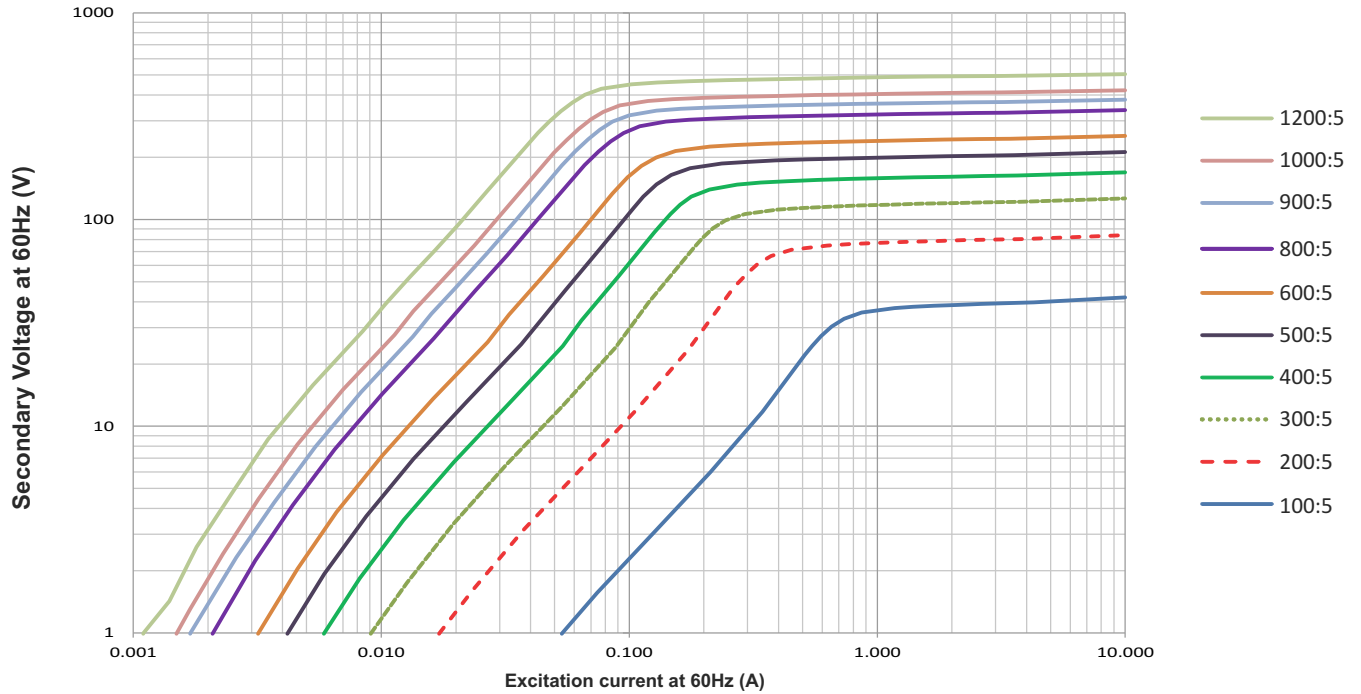
Terminals	X3-X4	X1-X2	X4-X5	X3-X5	X2-X3
Ratio	300:5A	400:5A	500:5A	800:5A	800:5A
Terminals	X2-X4	X1-X3	X1-X4	X2-X5	X1-X5
Ratio	1100:5A	1200:5A	1500:5A	1600:5A	2000:5A

7.0" Internal Diameter, Multi-Ratio  
Width 7.0"



## Typical Excitation Curves

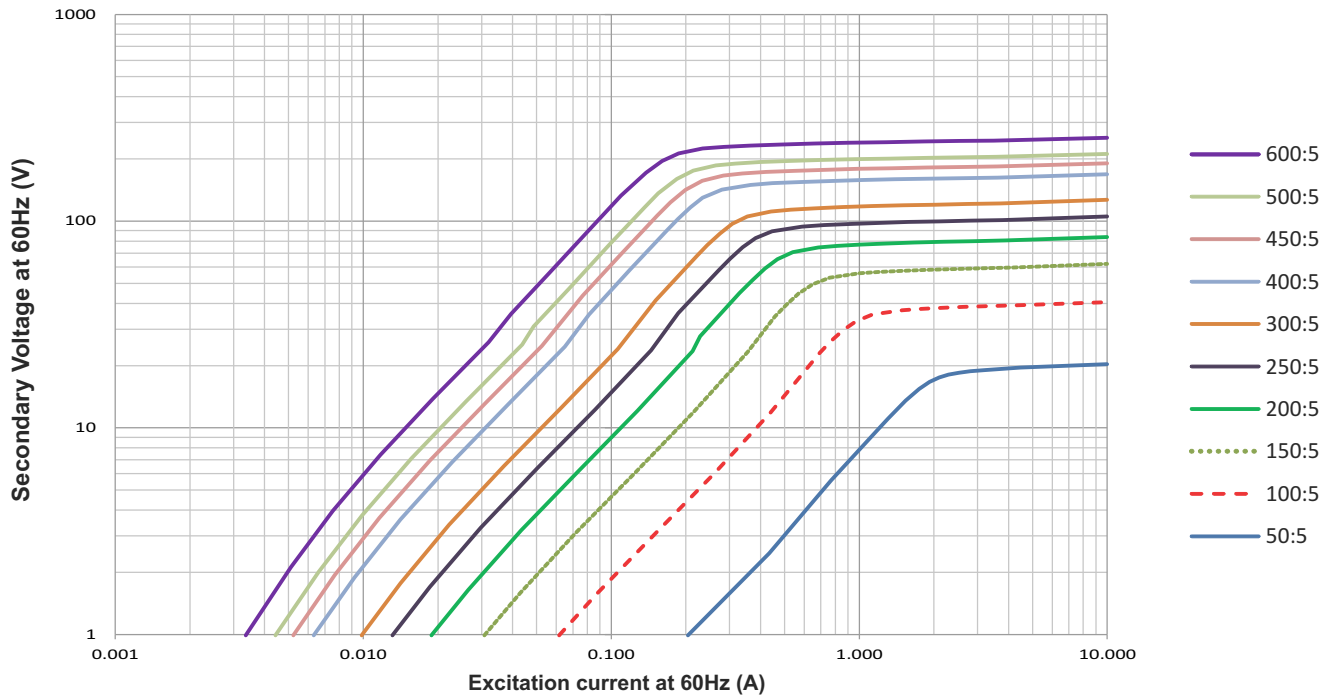
### ICT98A03



### ICT98A03 Ratings

Terminals	X2-X3	X1-X2	X1-X3	X4-X5	X3-X4
Ratio	100:5A	200:5A	300:5A	400:5A	500:5A
Terminals	X2-X4	X1-X4	X3-X5	X2-X5	X1-X5
Ratio	600:5A	800:5A	900:5A	1000:5A	1200:5A

### ICT98A01



### ICT98A01 Ratings

Terminals	X2-X3	X1-X2	X1-X3	X4-X5	X3-X4
Ratio	50:5A	100:5A	150:5A	200:5A	250:5A
Terminals	X2-X4	X1-X4	X3-X5	X2-X5	X1-X5
Ratio	300:5A	400:5A	450:5A	500:5A	600:5A